



SWITCH BOX

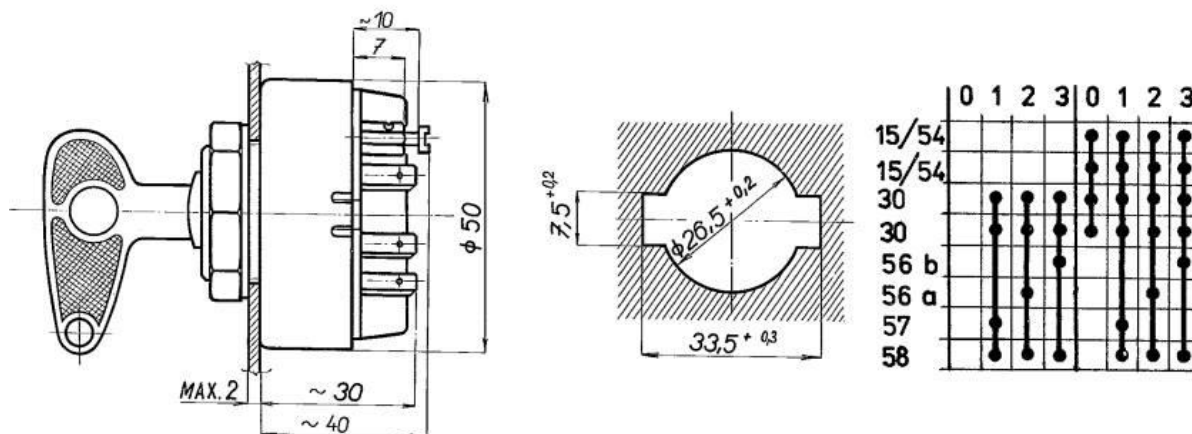
TYPE 9440.150

Switch boxes are used for switching electrical devices ON or OFF, such as headlamps, starters, and ignition devices, in vehicles (motorcycles and tractors). They are designed for 6V, 12V or 24V voltage. Switch boxes are available with 3 and 4 positions. Weight is 0,13 kg. Supplied with key..

Ignition switch with 4 position	0-1-2-3
SWITCH POSITION	0-daylight
	1-parking lights
	2-head light
	3-dipped light
Connection	screw

If you are interested in product please send our inquiry to e-mail: spd@spd-km.cz

CIRCUIT DIAGRAM



SPD Kroměříž a.s.
Kaplanova 1852/1e
767 01 Kroměříž

IČO: 25571877
DIČ: CZ25571877